

START GATE SX WORLDCUP

- manually -

MANUAL



Die Geräte sind patentgeschützt.

SETTELE SPORTSYSTEMS

Westpark 22

D- 88161 Lindenberg (Germany)

PHONE +49 (0) 8381 - 89169 50

FAX +49 (0) 8381 - 89169 53

E-MAIL info@settele-engineering.de

WEB www.settele-sportsystems.com

15.01.2026

SETTELE SPORTSYSTEMS START GATE SX WORLD CUP

SETTELE SPORTSYSTEMS

SETTELE SPORTSYSTEMS offers different systems for the latest demands in Skicross and Boardercross. Through our own experience in professional winter-sports we are always striving to develop the materials, and the mechanical system further, to target optimal performance for the respective area of application.

Since 2005 our company is an OFFICIAL PARTNER OF THE FIS (International Ski Federation). We work closely together with the FIS in the development of new systems, to do justice to the high requirements of the professional racing sport. The start system is used successfully on FIS point races, European Cups, World Cups, World Championships, and national events. After Vancouver in 2010, SETTELE SPORTSYSTEMS is also the supplier for Sochi in 2014 and Pyeongchang 2018.

SETTELE SPORTSYSTEM stands for high-quality products for professional winter-sports. We develop our existing systems and products constantly, in order to match the growing requirements.

Thus, we are the first company to offer our START GATE SX WORLD CUP random generator.

Please check out our website at www.settele-sportsystems.com for more skicross and boardercross products.

START GATE SX WORLD CUP

The SETTELE START SYSTEMS START GATE SX World Cup is the best choice for professional skicross and boardercross events.

Modular concept

... regardless if 2, 3, 4, 6 or 8 starters - the installation can be fixed at will, as the modules are intermateable. The startgate can be extended at any time depending on the requirement.

Made in Germany

High quality warranted by daily experience in construction and certified factory. The SETTELE start gate is patent-protected.

Recommended by FIS

SETTELE START SYSTEMS was the first recommended start gate by FIS. The start gate was developed with FIS and will be adapt to the newest challenges of ski- and boardercross.

Easy assembly and dismantling

The start gate is easy to assemble and dismantle. Space-saving packing and storing is guaranteed

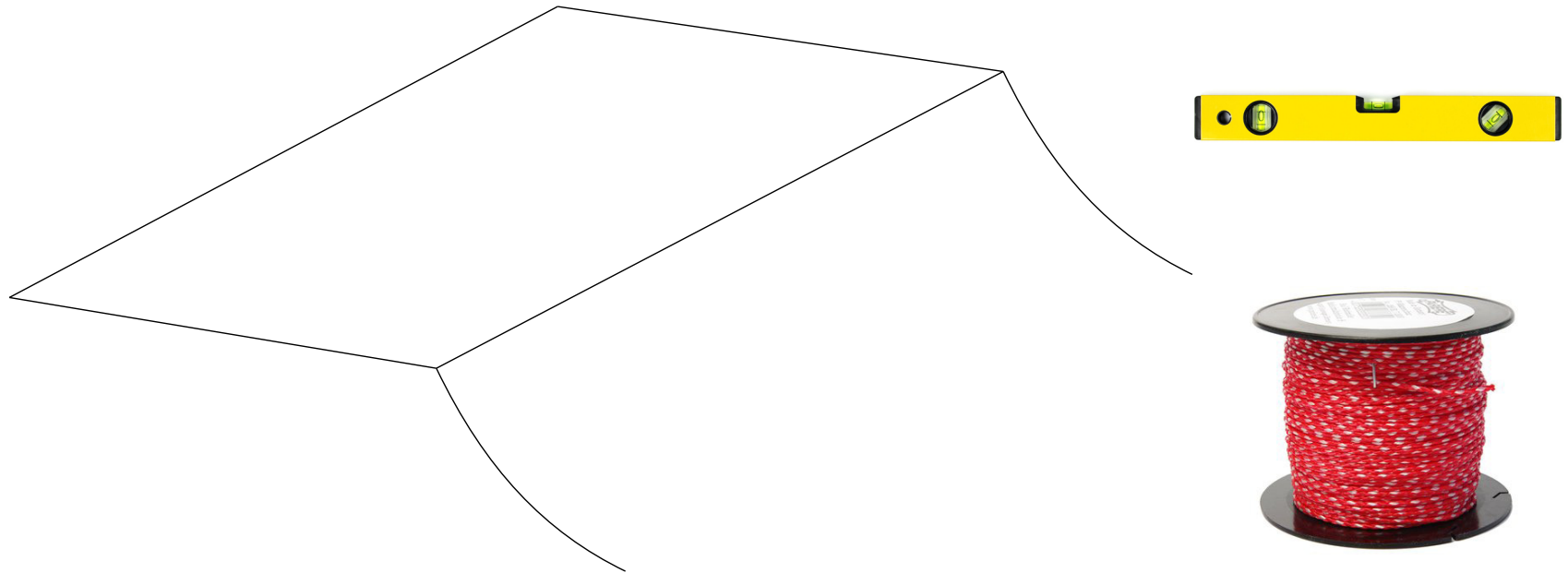
Advertising space

The start gate offers advertising space at the gates and in intermediate areas of the starting positions.

Training equipment

The starting installation can also be used as a training installation, possibly only as a 1,2 or 3 module.

SNOWCAT INSTRUCTION



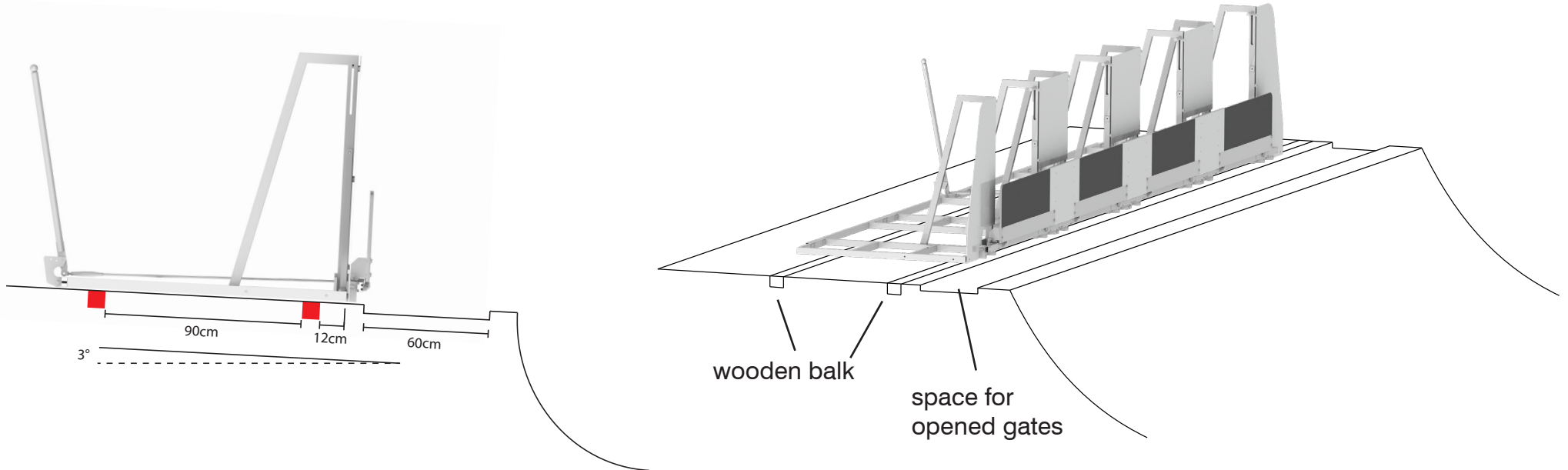
The starting point have to be shaped flat, because the gate work much easier if there is no twist or torsion. The more accurate the work is heard, the more accurate is the structure of the Start Gate.

Width:

4x starter gates about 10m

6x starter gates about 13m

SLOPE SETTINGS



The Start Gate have to be 3° downgraded so place the balk in the background a little bit higher.

For better stability place two lines of wooden balks under the Start Gate. The length should be on each side 50cm longer than the Start Gate length.

Full balks length:

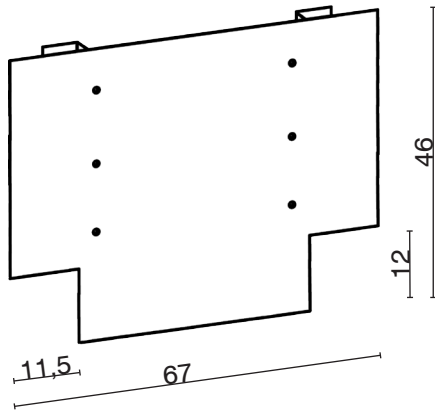
4x starter gates about 50cm + 7240cm + 50cm = 7340 cm wooden balk

6x starter gates about 50cm + 10560cm + 50cm = 11560 cm wooden balk

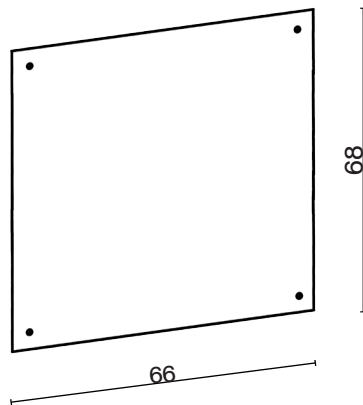
Advertising Space

Unit: cm

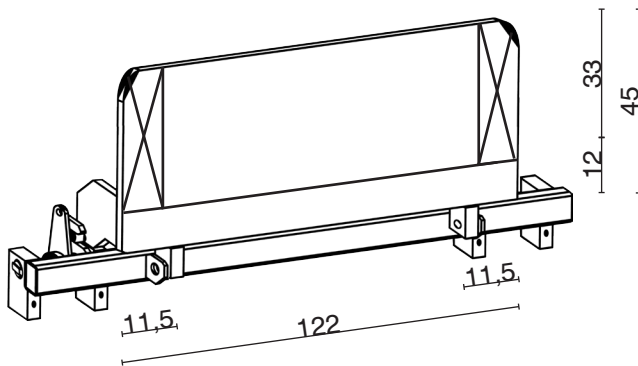
gate panel



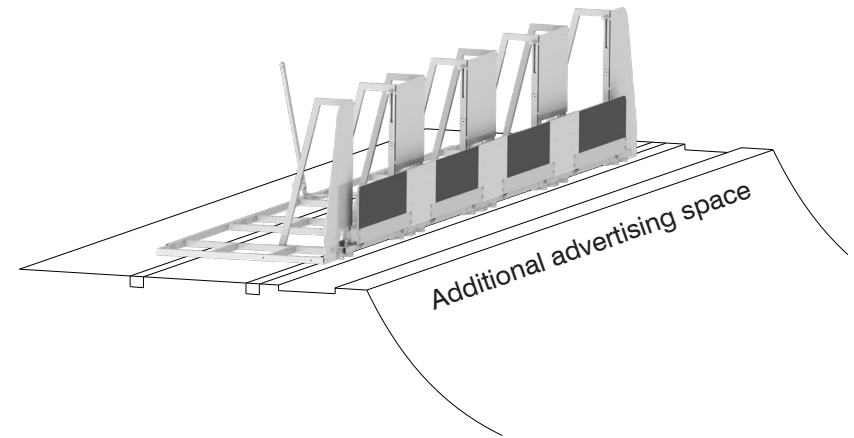
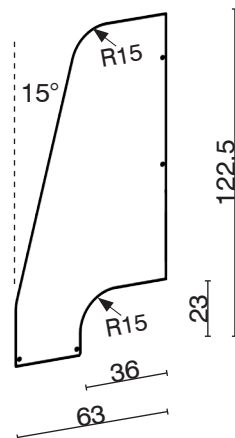
frame panel



gate



Optional: side panel



Some parts of the gate will be covered by the gate panel after full installation.

SETTELE SPORTSYSTEMS
START GATE SX WORLD CUP

COMPONENTS

Delivered (4 modul standard edition):

Screws:

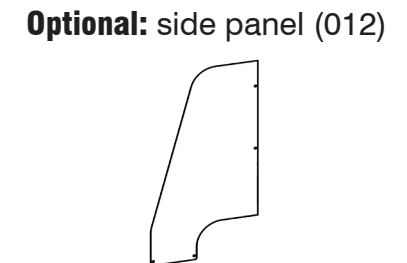
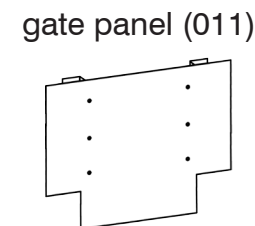
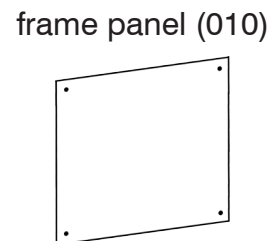
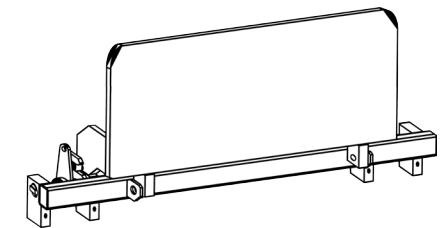
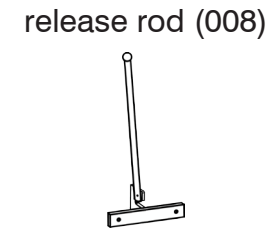
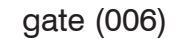
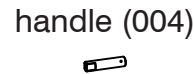
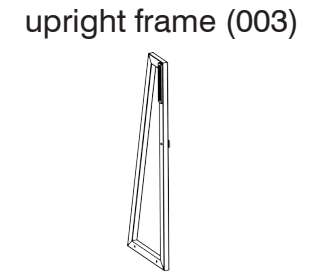
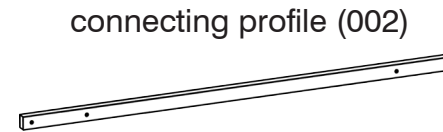
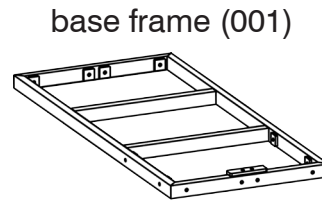
- 8x hexagon screw M 10x20
- 8x hexagon screw M 10x50
- 30x hexagon screw M 10x70
- 18x hexagon screw M 10x90
- 12x M 6x25
- 12x M 6 washer
- 8x star knob screw
- 72x M 10 washer

Start Gate Parts:

- 5x base frame (001)
- 4x connecting profile (002)
- 8x upright frame (left and right) (003)
- 8x handle (004)
- 8x long bearing (005)
- 4x gate (006) (incl. 1 with short release lever and 4 long release lever for **optional electr. Random System**)
- 1x connection rod (007)
- 1x release rod (008)
- 4x protective cover (009)
- 3x frame panel (010)
- 3x gate panel (011)

You need:

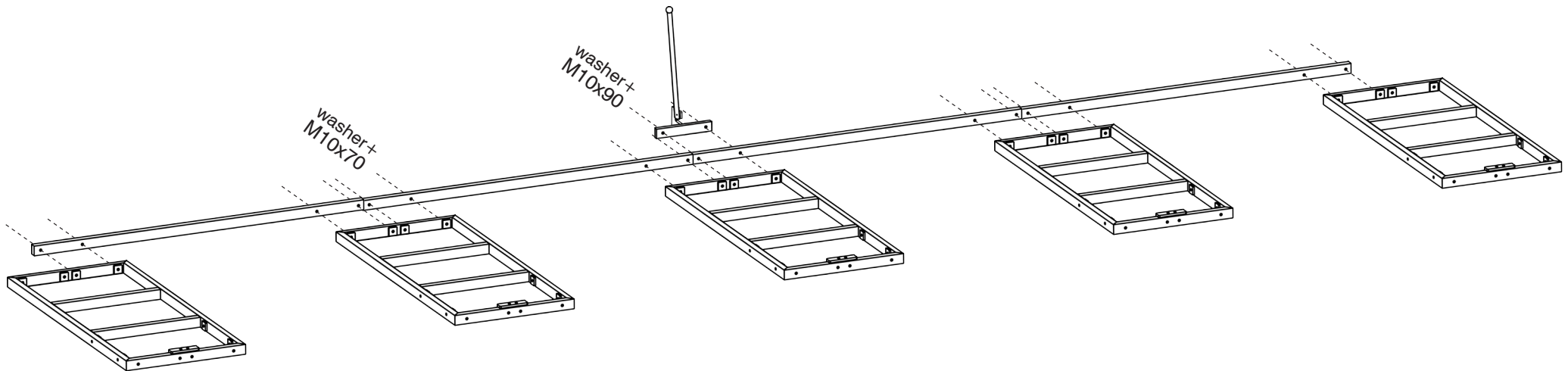
- ratch, hexagon socket screw key





Tighten all screws at the very end for an easier and correct assembly.

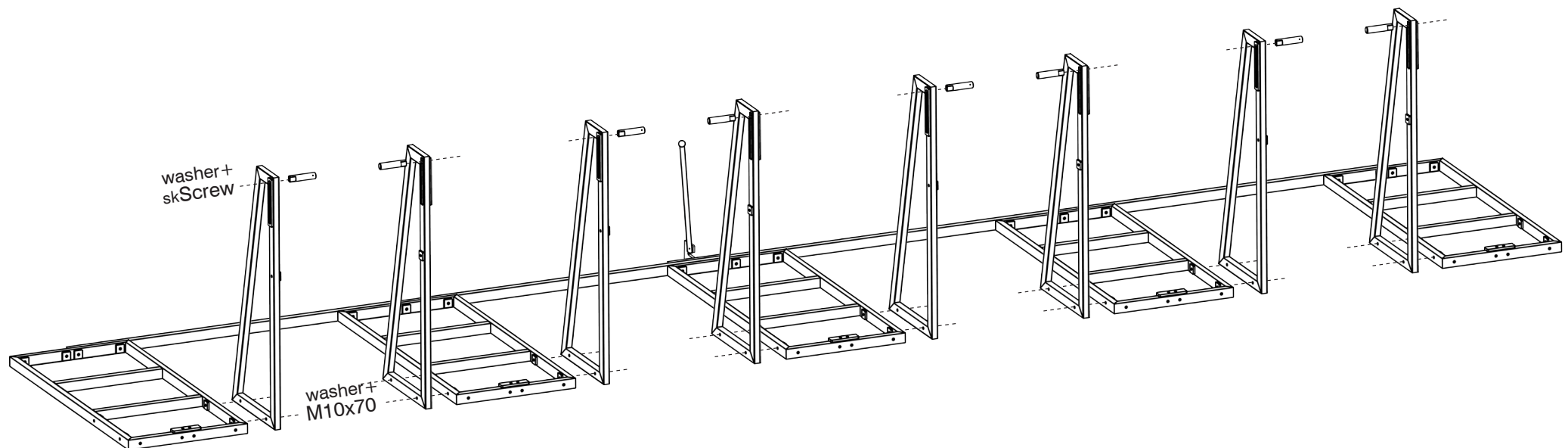
1. Put the base frames (001) parallel on the ground.



2. Bolt the connecting profile (002) to the middle of the back of the base frame using a washer and a hexagon screw M 10x70.

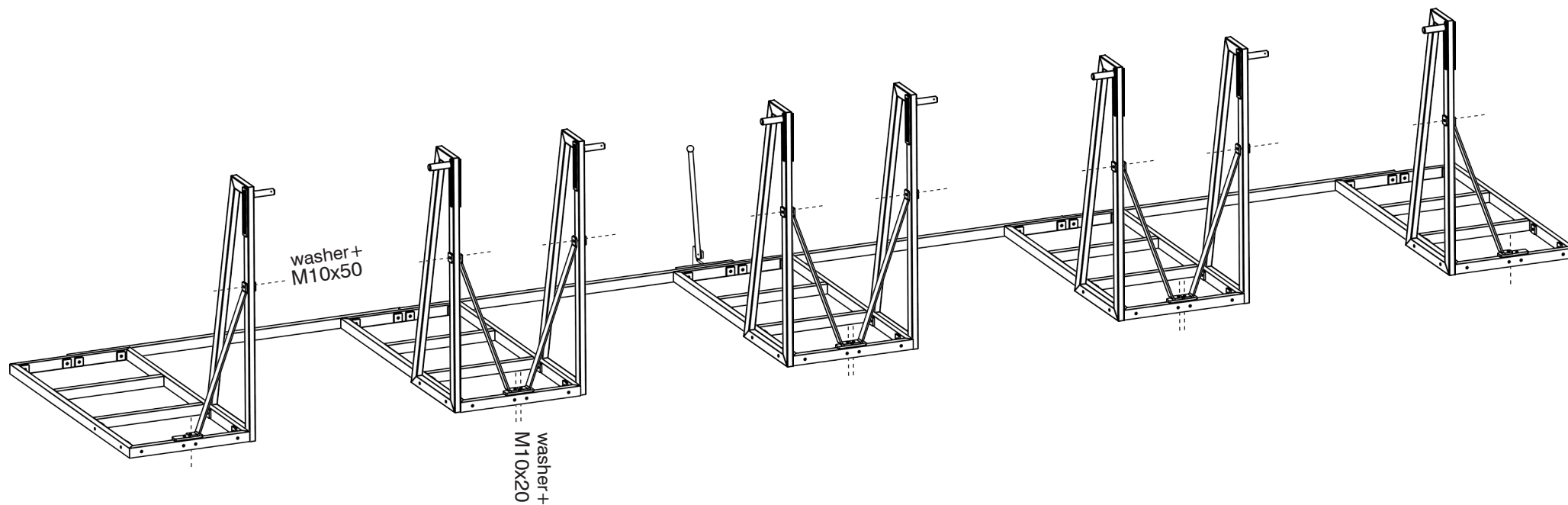
3. Bolt the release rod (008) to the back of the connecting profil with M 10x90. The release rod can be bolt to the 2., 3. or 4. base frame (001). The middle position as in the picture is the best.

4. Connect the upright frame (003) with the base frame (001) using a washer and a hexagon screw M 10x70.

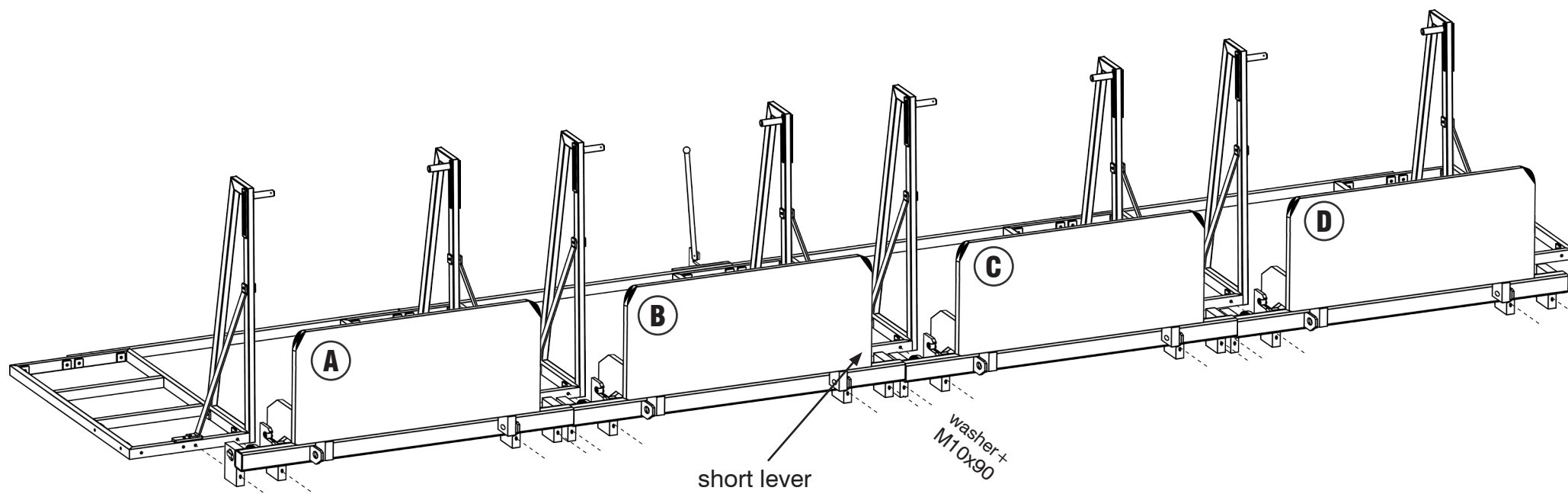


5. Connect the handles (004) with the upright frame (003) using a washer and a star knob screw.

6. Connect the long bearing (005) with the base frame (001) (washer + M 10x20) and the upright frame (003) (washer + M 10x50).

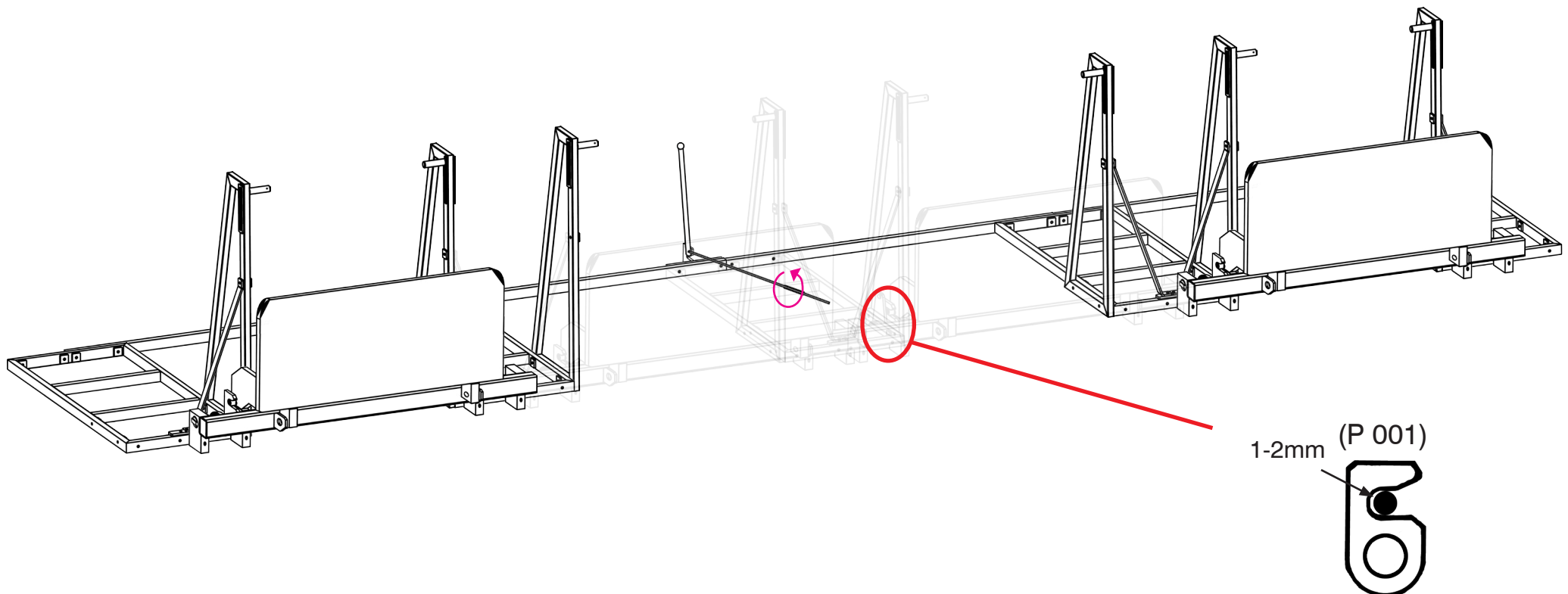


7. Fix the gates (006) on the base frame with M 10x90. The gates have to be closed. Begin on the right or left side and be sure that the key and the slot on the shafts fit.



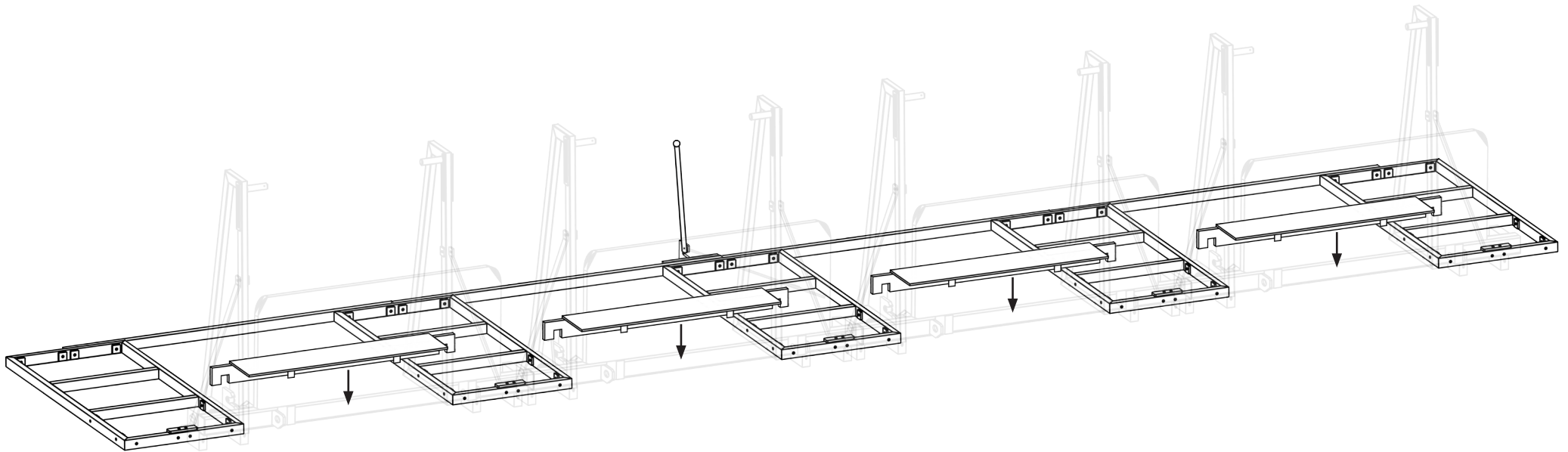
The gate with the short release lever should have the same position as the release rod (008).
The 4 long release lever are needed at the optional electric random release System.
In this case the manual release can be used as a backup.

8. Put the connection rod (007) between release rod (008) and the short release lever in the front. Adjust the release mechanism with the rod strainer.

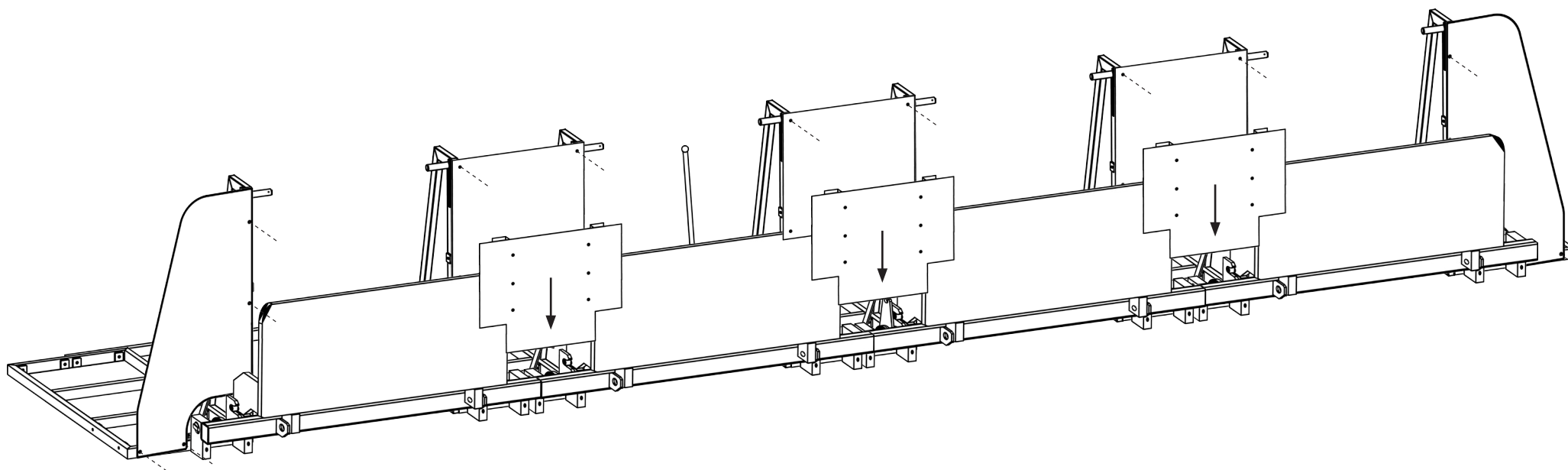


Adjust the length of the connection rod so that the short release lever and the two locking bars at each gate are pulled backwards about 1-2mm (P 001). The gates opening/closing should be easier this way.
Tighten the nuts on the rod, otherwise the setting will change over time.

9. Put the protective cover(009) over the gate and the base frame.



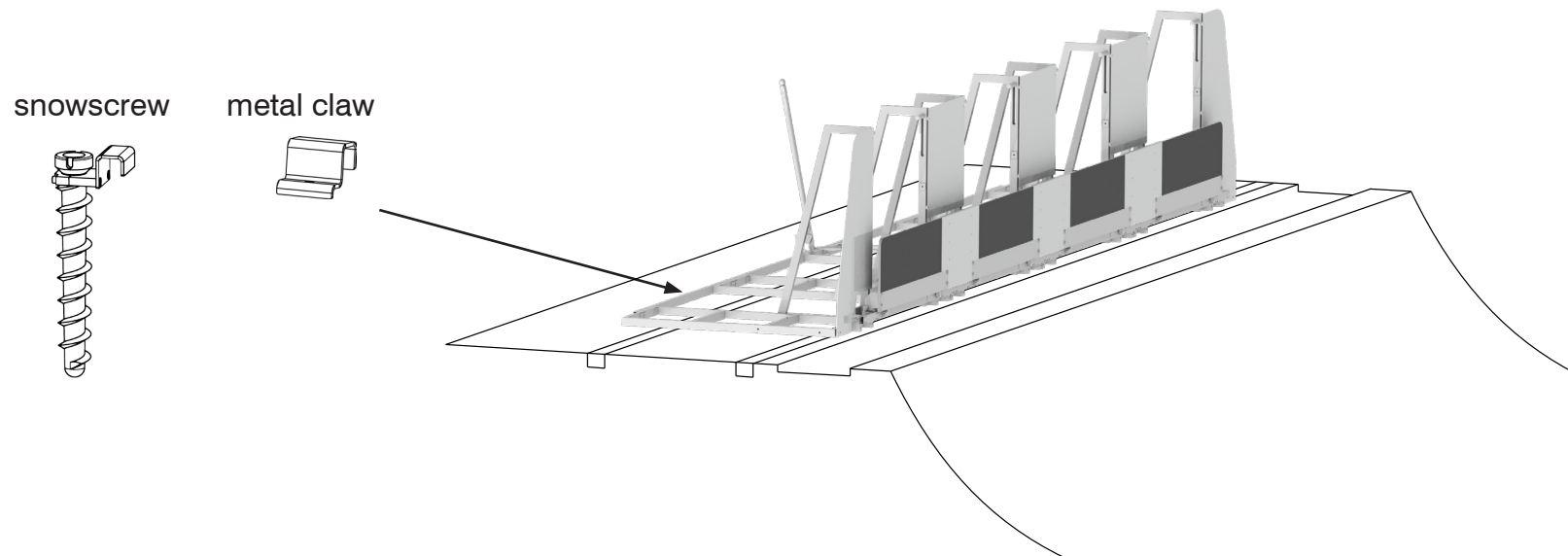
10. Connect the frame panels (010) with the upright frame (003) using washers and M 6 x 25 screws.



11. Stuck the gate panels (011) on the gates and thighten the screws. For timetrail single starter remove the gate panels accordingly.

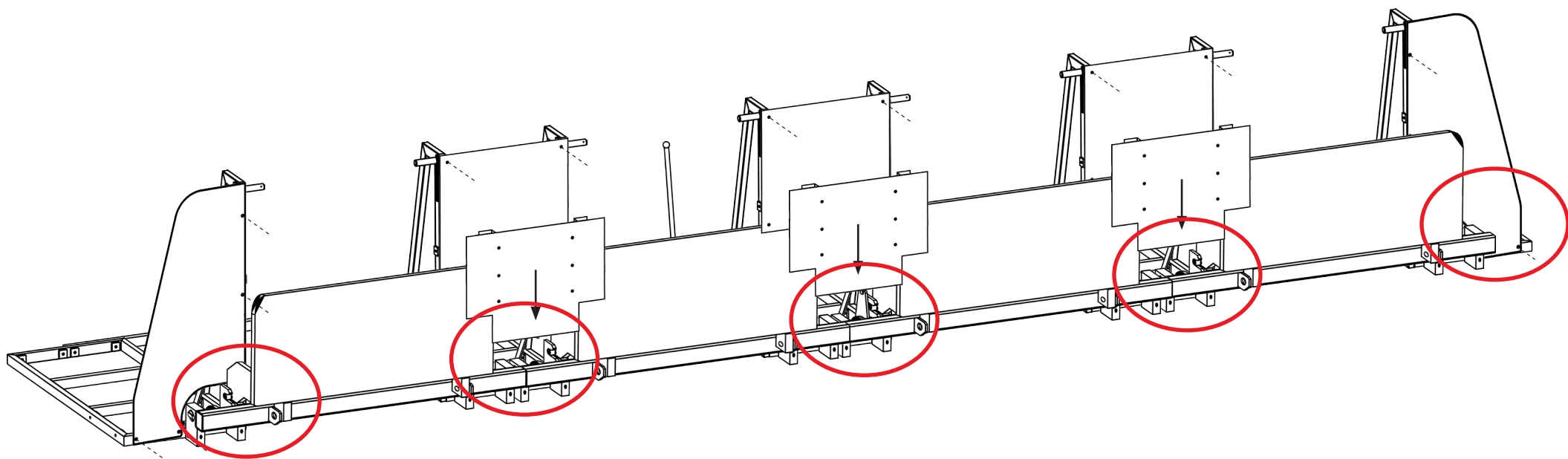
Optional: Connect the side panels (012) with the upright frame (003) using washers and M 6 x 25 screws. To connect the side panels (012) and the base frame (001) use washers and M10 x 20 screws.

Start Gate fixation



Fix the Start Gate to the wood with metal claws and screws or use snowscrews.
At the end cover the starting lanes with snow.

SETTELE SPORTSYSTEMS
START GATE SX WORLD CUP



Please protect the mechanical release mechanism from ice and snow

Thank you very much and have fun with your new

SETTELE SPORTSYSTEMS
START GATE SX WORLD CUP



SETTELE SPORTSYSTEMS

Westpark 22

D- 88161 Lindenberg (Germany)

PHONE +49 (0) 8381 - 89169 50

FAX +49 (0) 8381 - 89169 53

E-MAIL info@settele-engineering.de

WEB www.settele-sportsystems.com